



## NC1-2504Z(N) DP NC1-4004Z(N) DP Contactor

### 1. General

NC1-2504Z DP, NC1-4004Z DP AC contactor (hereinafter called contactor) is developed from NC1-2504, NC1-4004 ac contactor model, is mainly used for DC 48V, rated operation voltage up to 690V, rated current 25A and 40A circuit for remote making and breaking circuits. And apply to match with thermal overload relays electromagnetic starter; can meet reversible function matching with same model of NC1-2504, NC1-4004 AC contactor.

Standard: IEC60947-4-1

### 2. Type designation

N	C	1-	□□	04	Z(N)	DP
						Customised
						Reversing AC / DC contactor
						DC coil
						4 N/O main contacts
						Basic specification, expressed with the rated operational current (380V, AC-3)
						Design Sequence No.
						Contactor
						Company Code

### 3. Operating conditions

- 3.1 Ambient temperature: -5°C ~ +40°C, average does not over +35°C
- 3.2 Altitude: below to 2000m
- 3.3 Humidity: +40°C max, relative humidity is no more than 50%, lower temperature allows a higher relative humidity.
- 3.4 Pollution degree: 3 3.5 Installation category: III
- 3.6 Installation conditions: the mounting surface and the vertical gradient of not more than ± 5°. Product should be installed and used for no apparent shake, shock and vibration
- 3.7 IP10



#### 4. Technical data

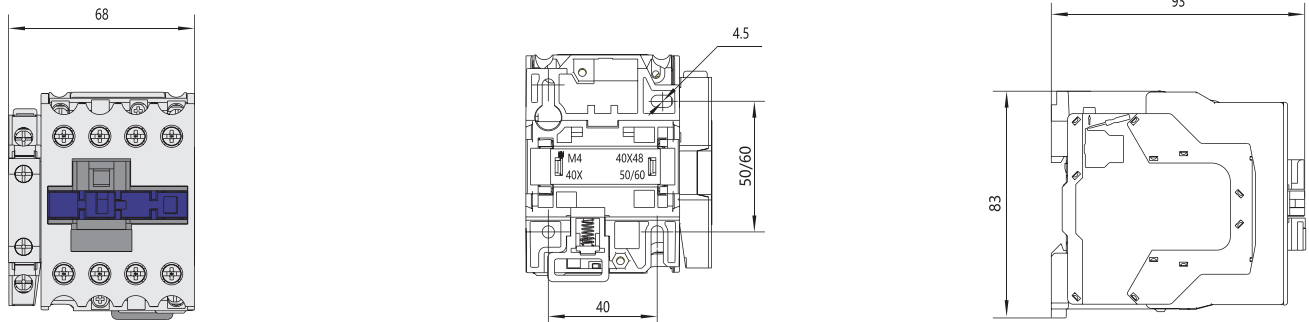
Model		NC1-2504Z DP			NC1-4004Z DP		
Rated current (A)	380V~400V	AC-3	25			40	
		AC-4	8.5			18.5	
	660V~690V	AC-3	18			34	
		AC-4	4.4			9	
Rated conventional current (Ith)(A)		40			60		
M Rated insulation voltage (V)		690V					
Power of controlled 3-phase cage motor (AC-3)kw	220V/230V		5.5			11	
	380V/400V		11			18.5	
	660V/690V		15			30	
Operation frequency	Electrical life (AC-4)		300				
	Mechanical life		1800				
Electrical life (AC-4)X10 <sup>4</sup>	400V (without derating)		1.5				
Mechanical life X10 <sup>4</sup>		50					
Coil voltage		DC 48V			DC48V		
Matched fuse model		RT16-40			RT16-63		
Cold end	pc	mm <sup>2</sup>	1	2	1	2	
	Non-prefabricated cord ends		1.5/4	1.5/4	6/25	4/10	
	Prefabricated cord ends		1.5/10	1.5/6	6/25	4/10	
	Non-prefabricated hard-wire ends		1.5/6	1.5/6	6/25	4/10	
Terminal screw size		M4	M4	M4	M8	M8	M8
Tighting torque (N.M)		1.2	1.2	1.2	4	4	4
Operation range		Pick-up voltage:DC 40V-60V			Pick-up voltage:DC 40V-60V		
		Drop-out voltage:DC 4.8V-16V			Drop-out voltage:DC 4.8V-16V		

NC1-2504ZN DP			NC1-4004ZN DP		
25			40		
8.5			18.5		
18			34		
4.4			9		
40			60		
5.5			11		
11			18.5		
15			30		
20			20		
DC48V/ AC220V			DC48V/AC220V		
RT16-40			RT16-63		
1	2		1	2	
1.5/4	1.5/4		6/25	4/10	
1.5/10	1.5/6		6/25	4/10	
1.5/6	1.5/6		6/25	4/10	
M4	M4	M4	M8	M8	M8
1.2	1.2	1.2	4	4	4
Pick-up voltage:DC40V-60V/AC 85%Us-110%Us			Pick-up voltage:DC40V-60V/AC 85%Us-110%Us		
Drop-out voltage:DC 4.8V-16V/AC 20%Us-75%Us			Drop-out voltage:DC 4.8V-16V/AC 20%Us-75%Us		

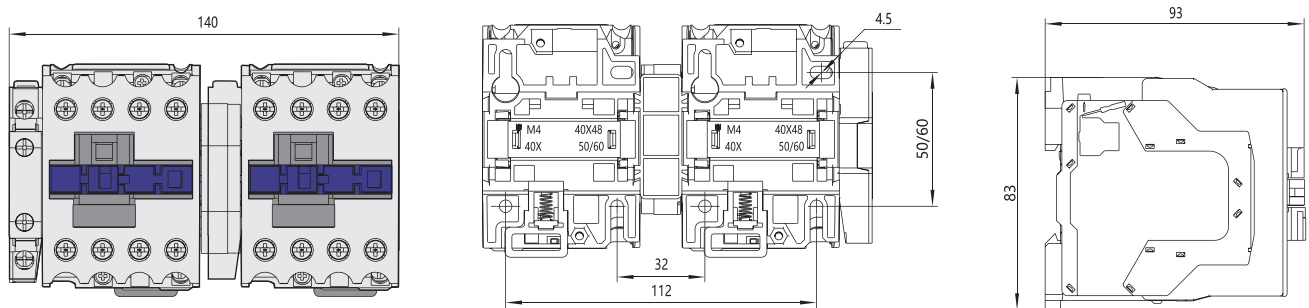


### 5. Overall and mounting dimensions (mm)

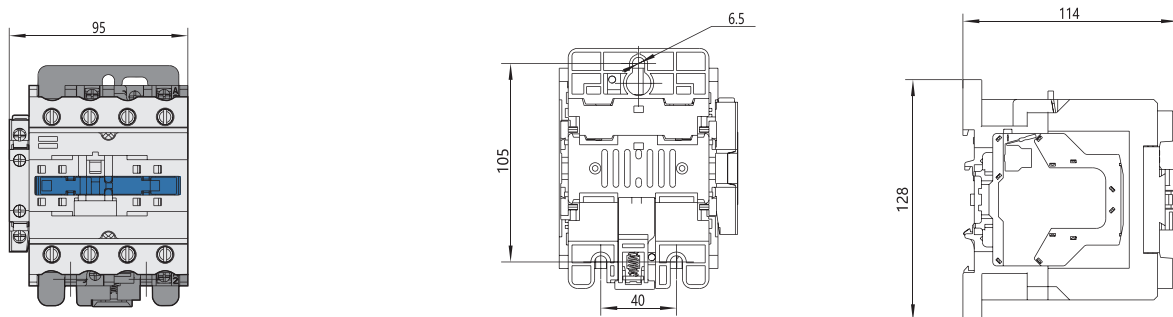
NC1-2504Z DP



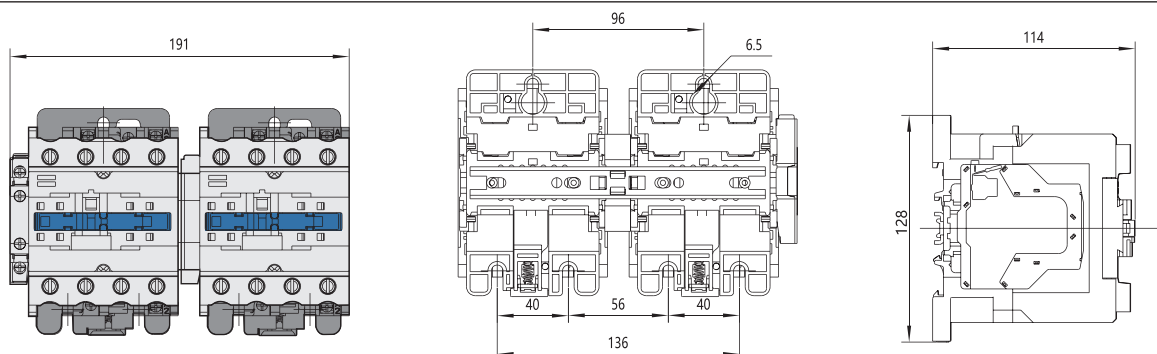
NC1-2504ZN DP



NC1-4004Z DP



NC1-4004ZN DP



### 6. Ordering information

- 6.1 Completed name and model of contactor;
- 6.2 Rated operation voltage and frequency for AC coil;
- 6.3 Purchase quantity;
- 6.4 Mark clearly for ordering F4 contacts or din-rail extra.